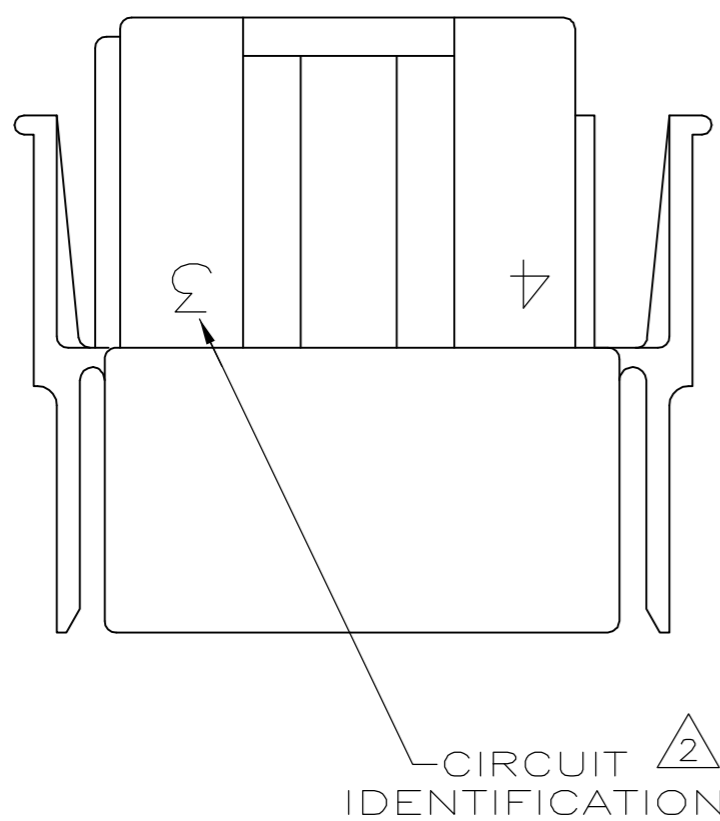
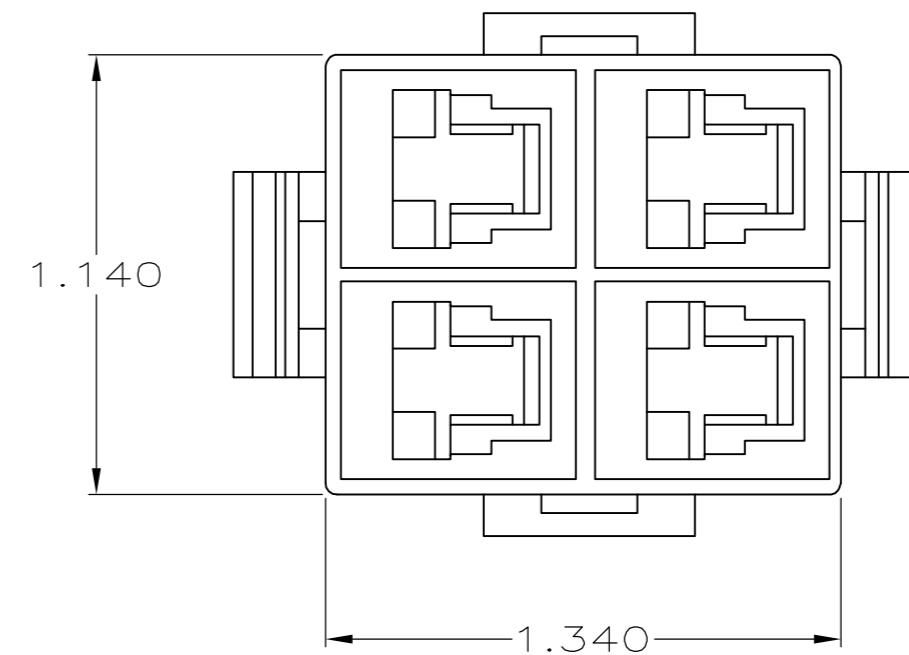
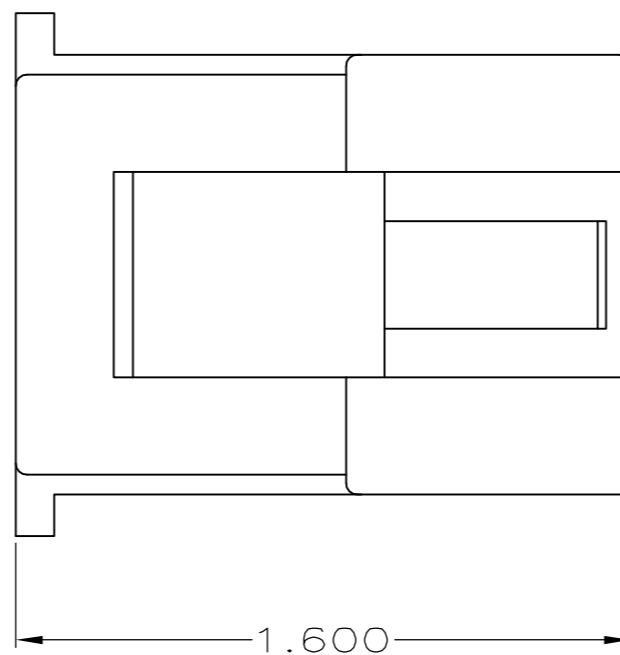
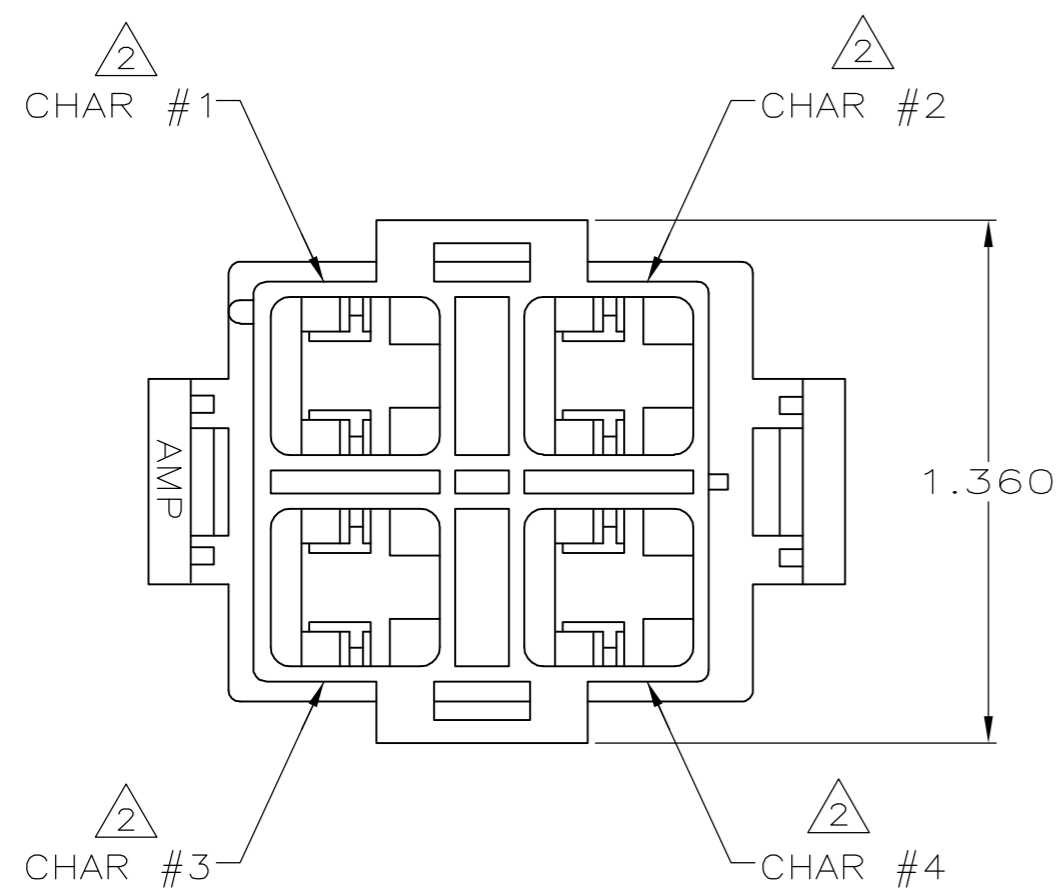


THIS DRAWING IS UNPUBLISHED. RELEASED FOR PUBLICATION  
 © COPYRIGHT BY TYCO ELECTRONICS CORPORATION. ALL RIGHTS RESERVED.

LOC		DIST		REVISIONS			
P	LTR	DESCRIPTION	DATE	DWN	APVD		
CM	0	N	ADDED -3, ECN 0G3-0109-99	23SEP99	SW	RB	



- 1. ACCEPTS TERMINALS 350650 AND 350651.
- 2. CHARACTERS 3 AND 4 MARKED ON NEAR SURFACE AS SHOWN, CHARACTERS 1 AND 2 MARKED ON OPPOSITE SIDE.
- 3. NYLON, 94V-0 RATED, BRICK RED.
- 4. NYLON, 94V-2 RATED, BLACK.

2	4	643267-3
2	3	643267-1
CIRCUIT IDENTIFICATION	MAT'L	PART NUMBER

THIS DRAWING IS A CONTROLLED DOCUMENT.		DWN R.SHIREY 05/15/91	tyco Tyco Electronics Corporation	
DIMENSIONS: mm		CHK R.STONE 5-22-91	Harrisburg, PA 17105-3608	
TOLERANCES UNLESS OTHERWISE SPECIFIED:		APVD R.WALTER 5-22-91	NAME CAP, HIGH CURRENT, 4 CIRCUIT	
0 PLC ± -	1 PLC ± -	PRODUCT SPEC	-	
2 PLC ± -	3 PLC ± .015	APPLICATION SPEC	-	
4 PLC ± -	ANGLES ± -	WEIGHT -	SIZE A2	CAGE CODE 00779
MATERIAL SEE TABLE	FINISH -	CUSTOMER DRAWING	DRAWING NO C=643267	RESTRICTED TO -
			SCALE 2:1	SHEET 1 of 1
			REV N	